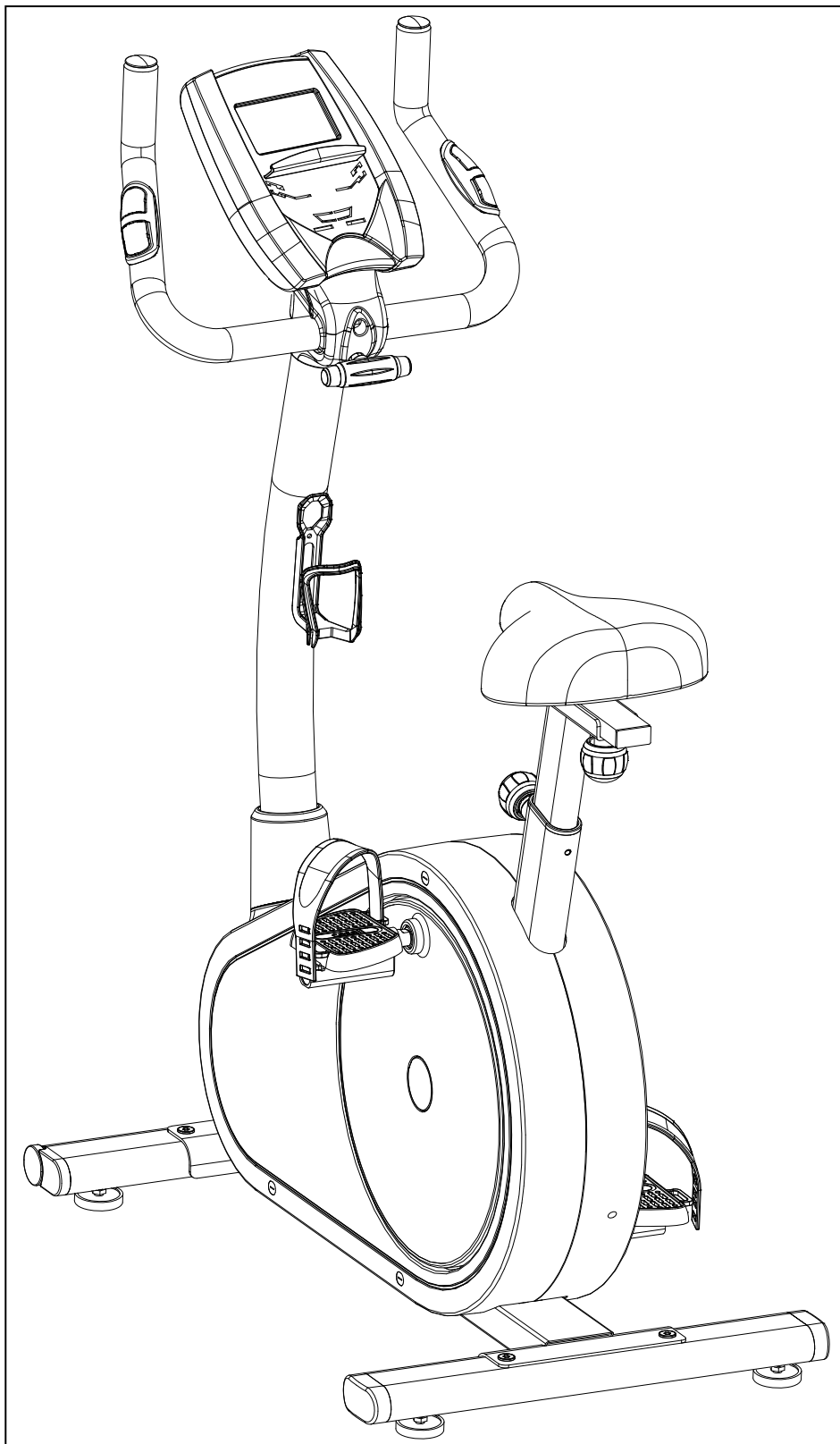
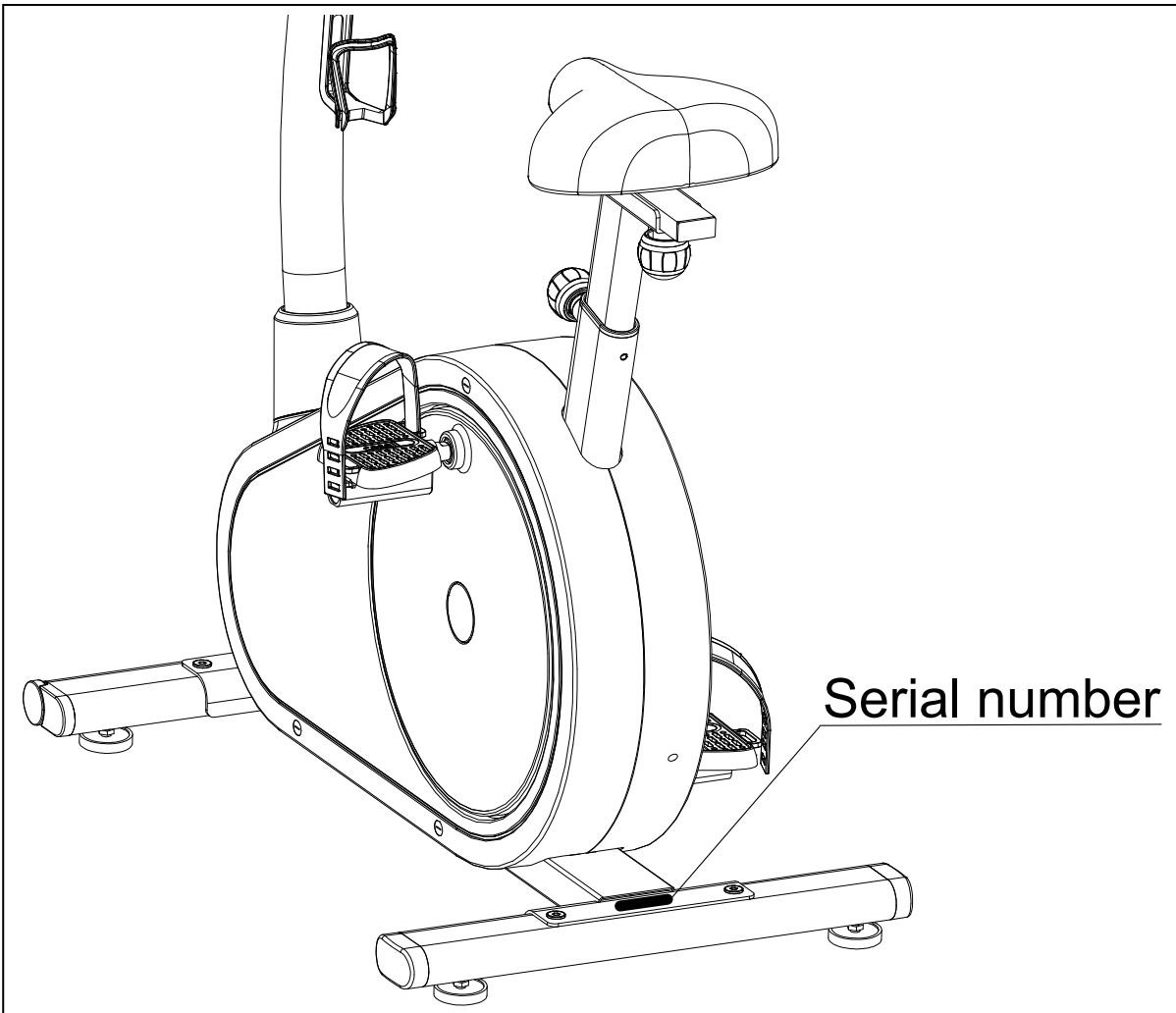


**Casall INFINITY 1.1B
Bike
91017**

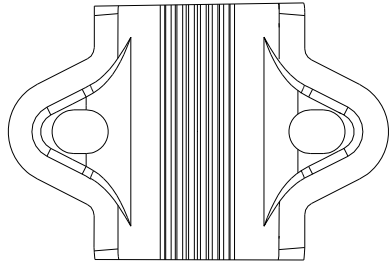


- Important: Please locate your serial number and record in the box below for service support purposes.



- Serial number here:

INFINITY 1. 1B



No:J-8 Metal cover (1)



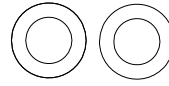
No:J-4 Spring Washer
Ø7*2t (2)



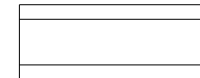
No:J-2 Allen Bolt
M7*P1.0*30L (1)



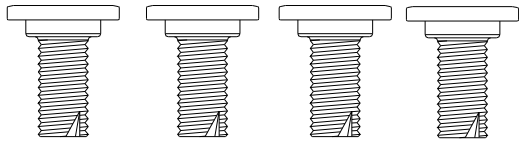
No:J-7 Screw M3*14L (2)



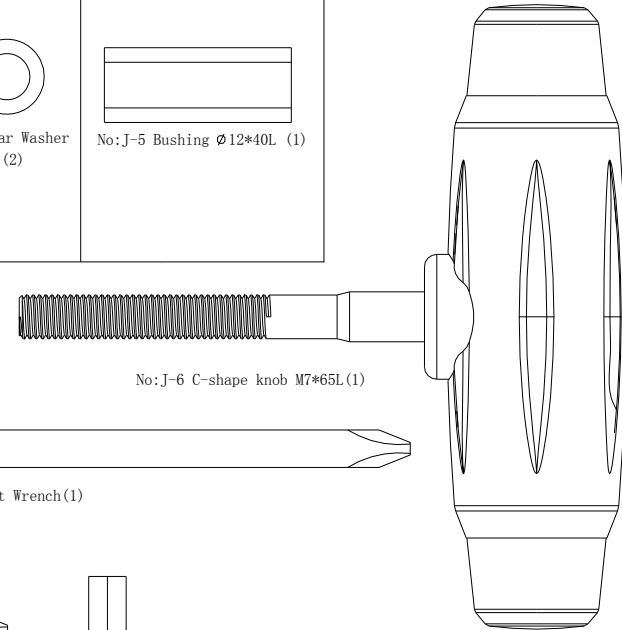
No:J-3 Regular Washer
Ø7*1t (2)



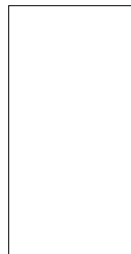
No:J-5 Bushing Ø12*40L (1)



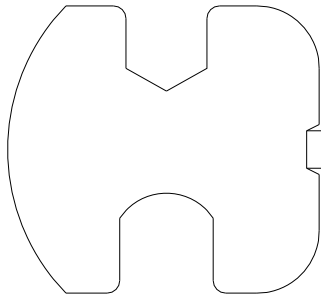
No:J-1 allen bolt M8*16L (4)



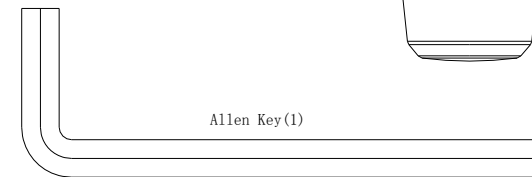
No:J-6 C-shape knob M7*65L (1)



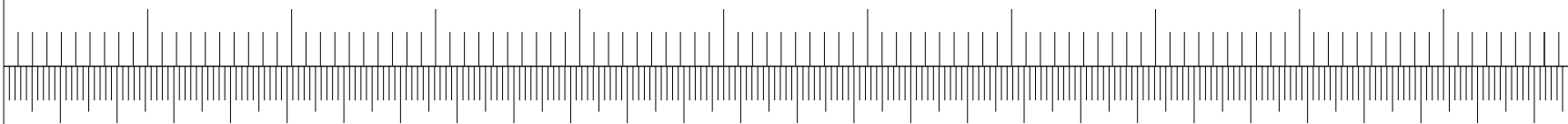
Socket Wrench (1)



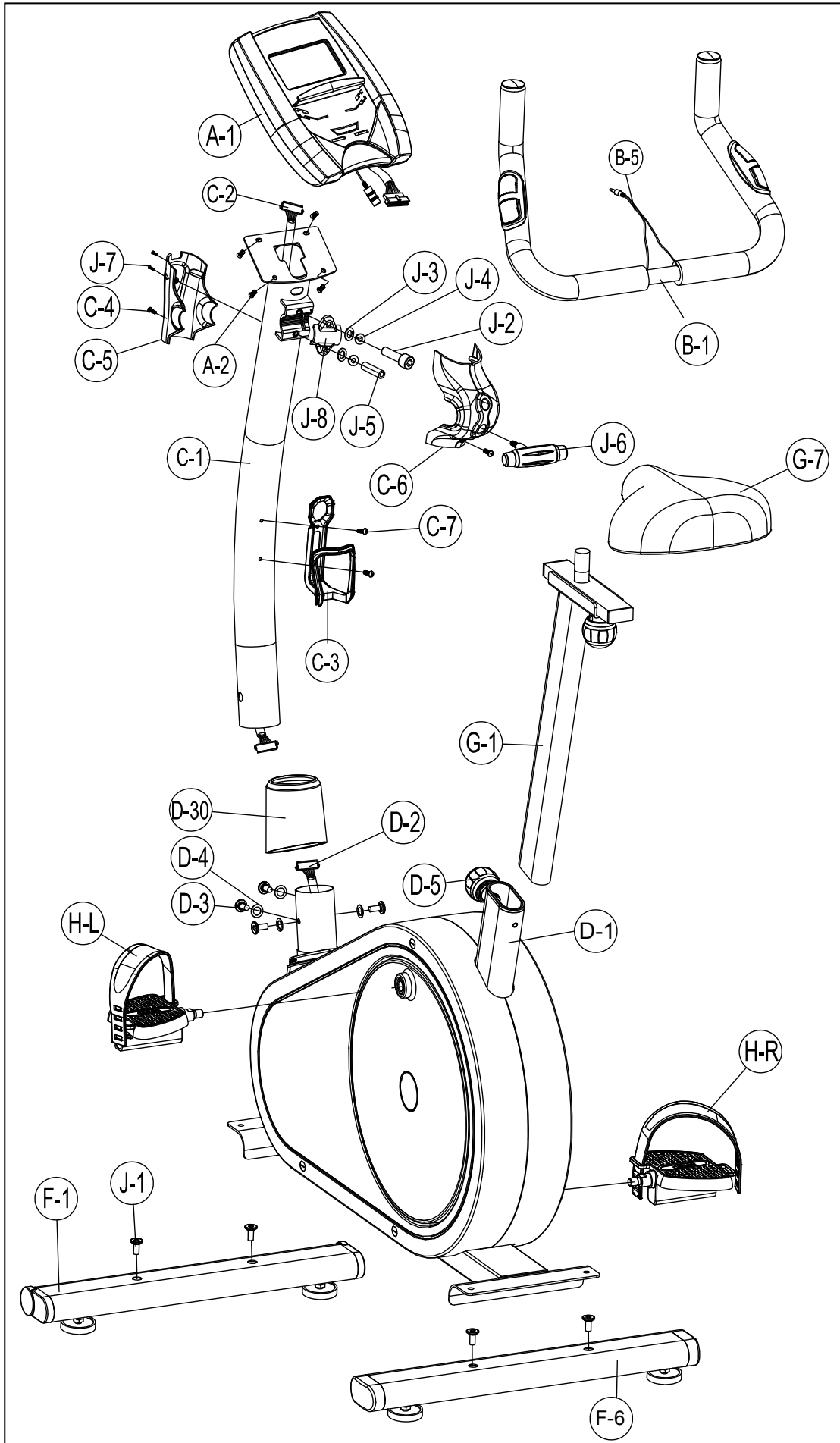
Screwdriver (1)
(Pedal Wrench)



Allen Key (1)



Assembly Diagram



PARTS LIST

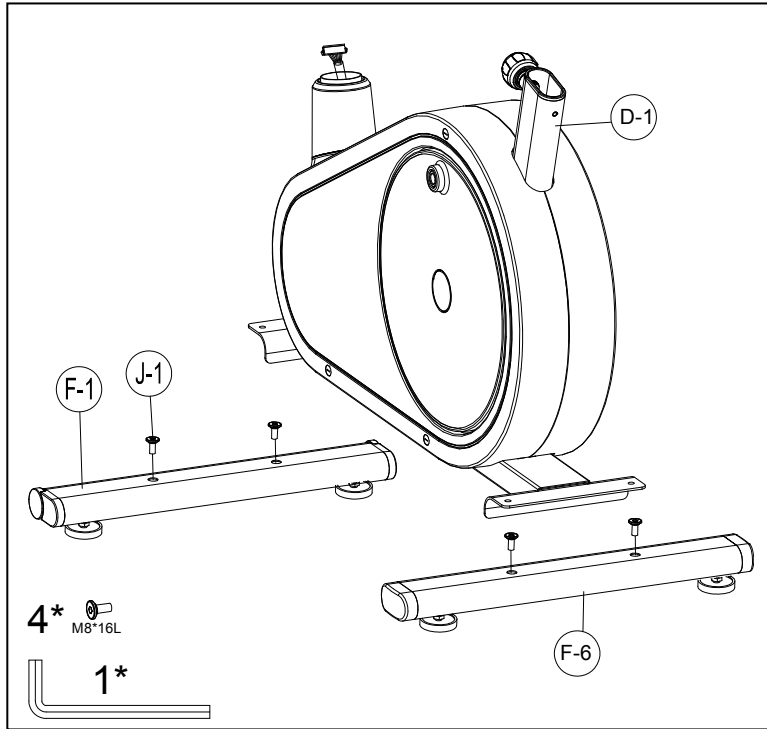
NO.	Description	Specifications	Q'TY
A-1,A-2	COMPUTER & SCREW		1PC
B-1	HANDLEBAR		1PC
B-2	HAND PULSE SET		1SET
B-3	FOAM GRIP	270Lxφ23x5mm	1SET
B-4	CAP FOR HANDLEBAR		1SET
B-5	HAND PULSE WIRE	550+550mm	1PC
B-6	SCREW FOR HANDLEBAR	M3x20L	2PCS
C-1	HANDLEBAR POST		1PC
C-2	COMPUTER CABLE (UPPER)		1PC
C-3	BOTTLE HOLDER		1PC
C-4	SCREW FOR R/L COVER	M5xP0.8x14L	2PCS
C-5	REAR COVER FOR COMPUTER		1PC
C-6	FRONT COVER FOR COMPUTER		1PC
C-7	SCREW FOR BOTTLE HOLDER	M5x20L	2PCS
D-1	MAIN FRAME		1PC
D-3	ALLEN BOLT FOR HAND POST	M8x16	4PCS
D-4	FLAT WASHER	φ12xφ19x1t	4PCS
D-5	ADJUSTING KNOB FOR MAIN FRAME		1PC
D-6	BELT	J6 1016m/m	1PC
D-7	BIG PULLEY		1PC
D-8	SHAFT		1PC
D-9	SCREW	M8xP1.25x12Lx5t	3PCS
D-10	FLAT WASHER	φ17.5xφ25x0.3t	2PCS
D-11	WAVE WASHER	φ17.5xφ25x0.3t	1PC
D-12	C-TYPE RING	φ17	1PC
D-13	BEARING	6203 (RS)	2PCS
D-14	PLASTIC BUSHING		1PC
D-15	SENSOR BOX		1PC
D-16	SCREW FOR SENSOR BOX	M4x10L	1PC
D-17	SCREW FOR CHAIN COVER	M5x16L	4PCS
D-18	SCREW FOR CHAIN COVER	M4x50L	5PCS
D-19	CHAIN COVER (L)		1PC
D-20	CHAIN COVER (R)		1PC
D-21	CROSS DISC (R)		1PC
D-22	ROUND DISC		2PCS
D-23	NUT FOR DISC	M10xP1.25x10T	2PCS
D-24	CAP FOR ROUND DISC		2PCS

D-25	SCREW FOR CROSS DISC	M4x14L	8PCS
D-26	FLAT WASHER	$\phi 15 \times \phi 16 \times 1t$	8PCS
D-27	CROSS DISC (L)		1PC
D-28	CAP FOR CHAIN COVER SCREW HOLES	OVAL	4PCS
D-29	CAP FOR CHAIN COVER SCREW HOLES	ROUND	5PCS
D-30	COVER FOR HAND POST		1PC
D-31	SPRING RING		1PC
D-32	BUSHING	$\phi 22 \times \phi 17 \times 7.5mmL$	1PC
D-33	DC CABEL		1PC
E~E-12	FLYWHEEL SET		1SET
F-1	FRONT STABILIZER SET		1SET
F-6	REAR STABILIZER SET		1SET
G	SEAT POST SET		1SET
G-2~G-6	SEAT SLIDER		1SET
G-7	SEAT		1PC
H-RL	PEDAL		1SET
I-1~I-8	IDLER WHEEL SET		1SET
J-1	ALLEN BOLT	M8x16	4PCS
J-2	BOLT FOR HANDLEBAR	M7xP1.0x30L	1PC
J-3	FLAT WASHER	$\phi 7 \times \phi 12 \times 1t$	2PCS
J-4	SPRING WASHER	$\phi 7 \times 2t$	2PCS
J-5	BUSHING	$\phi 7 \times \phi 12 \times 40mmL$	1PC
J-6	T-KNOB		1PC
J-7	SCREW FOR F/R COVER	M3x14L	2PCS
J-8	METAL COVER		1PC
K ,D-2	GEAR BOX AND MAGNETIC SET		1PC
L	ADAPTOR		1PC

Step 1 Foot Tube Assembly

Attach the Front Stabilizer (pt.F-1) to the Main Frame (pt.D-1) using two M8x16 Allen bolt (pt.J-1)

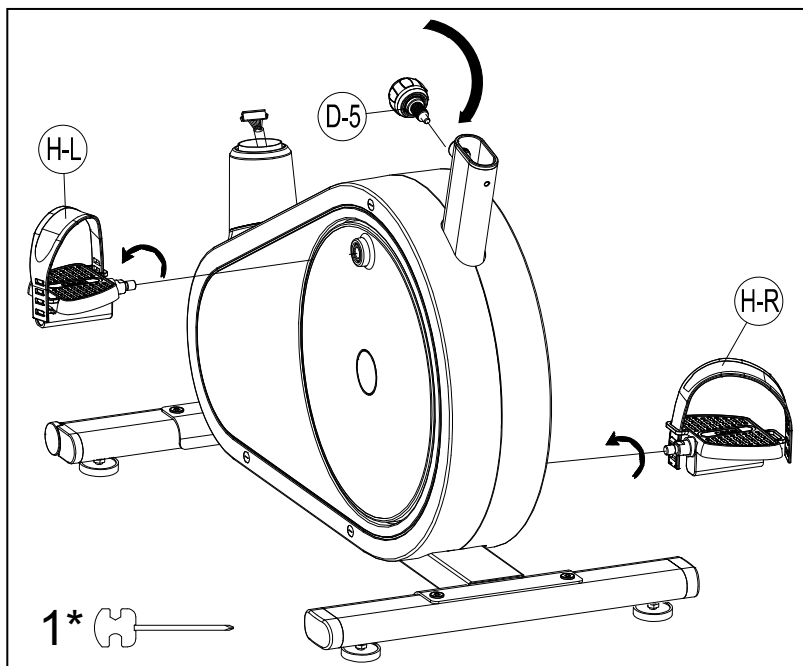
Attach the Rear Stabilizer (pt.F-6) to the Main Frame (pt.D-1) using two M8x16 Allen bolt (pt.J-1).



Step 2 Pedal Assembly

1. Assemble the two Pedals (pt.H-R+L) onto the Cross disc (pt.D-21 + D-27) with a screw driver.

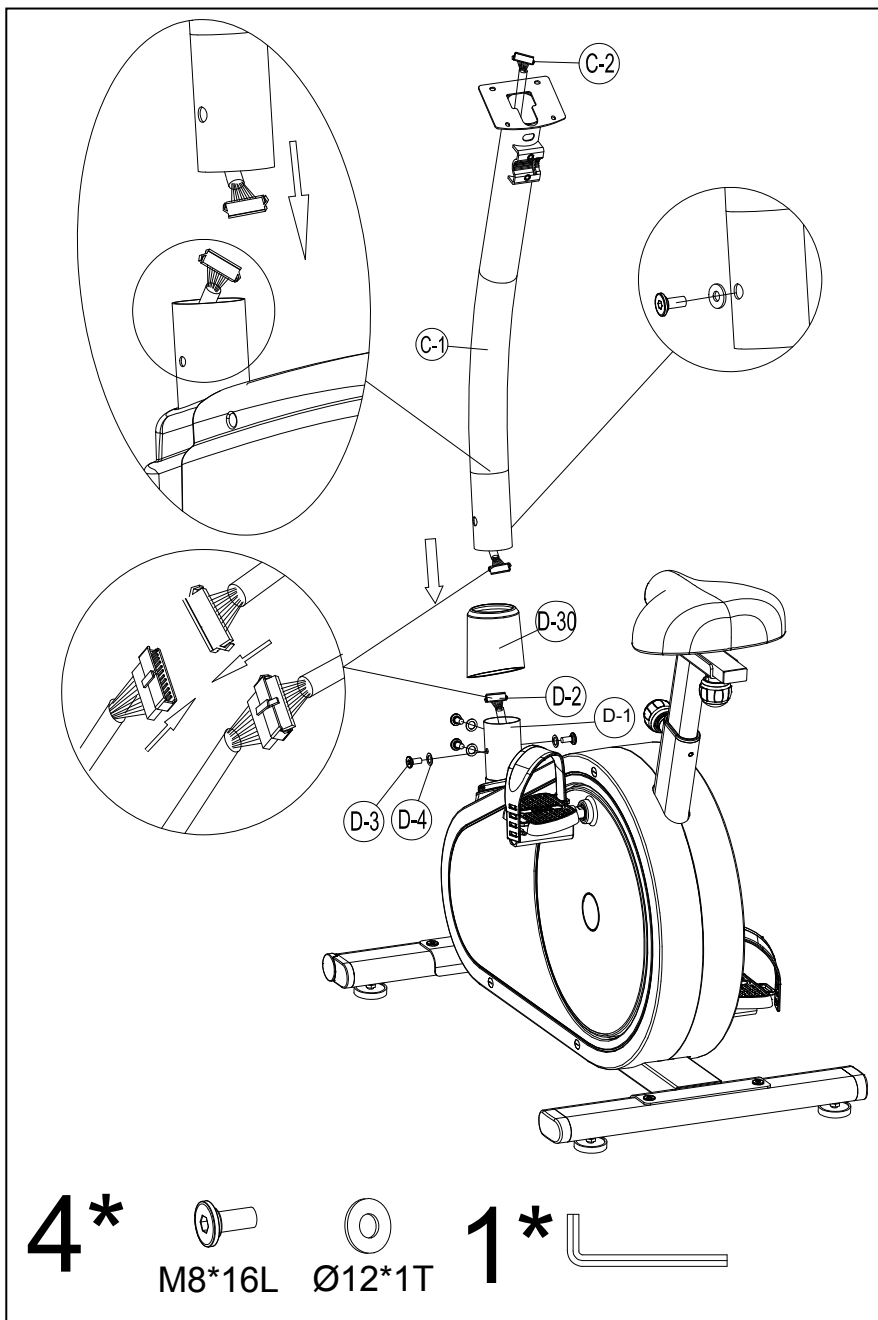
Remarks: Screw the left pedal's spindle counter-clockwise and the right pedal's spindle clockwise. Use a wrench (or screwdriver) to screw the two spindles completely.



Step 4-Handlebar post Assembly

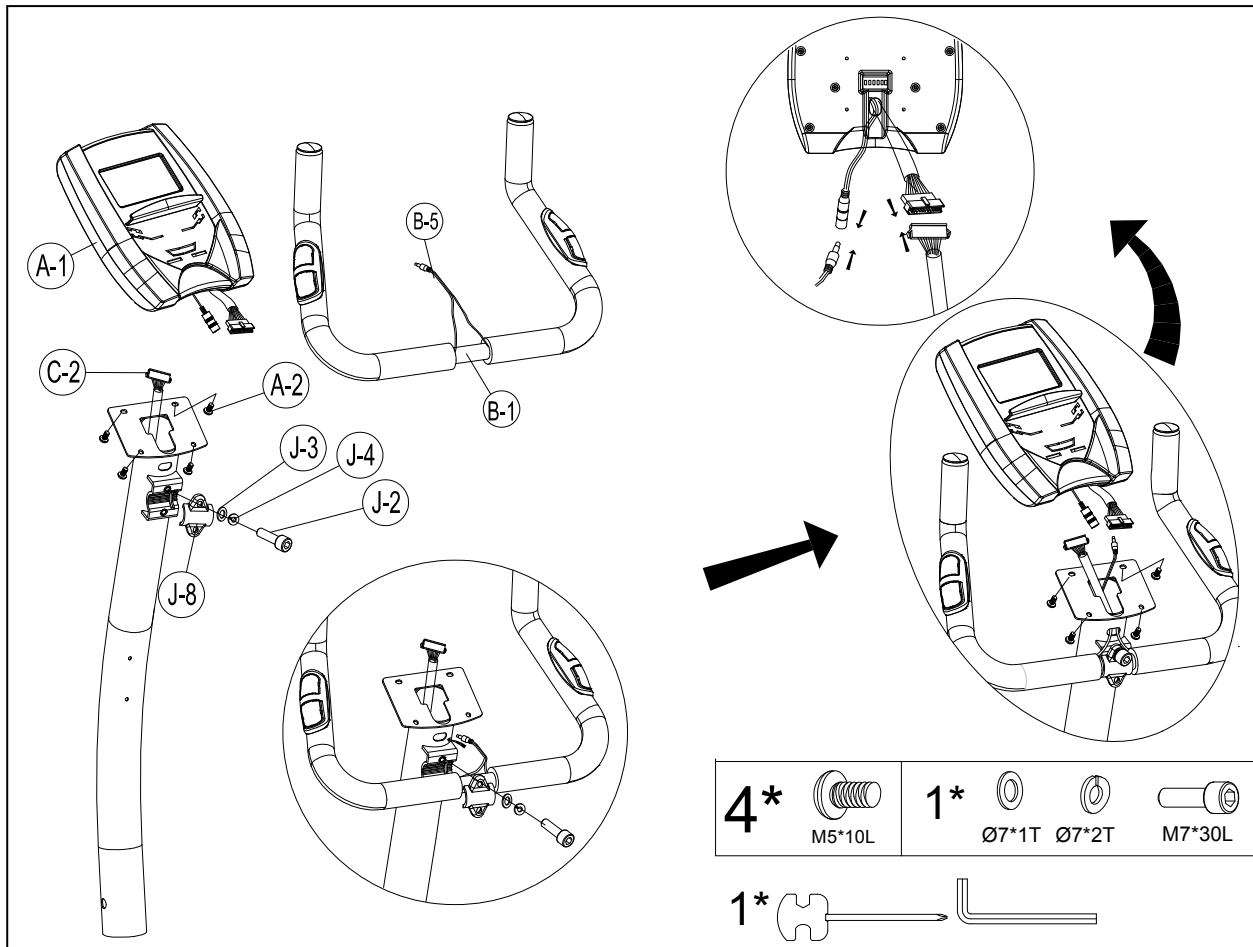
1. Please remove the M8x16 Allen bolt (pt.D-3) and flat washers (pt.D-4) from the main frame (pt.D-1)
2. Take the Handlebar post cover (pt.D-30) and pass it through Handlebar post (pt.C-1)
3. Hold the Handlebar post (pt.C-1) and connect the Lower computer cable (pt.D-2) to the Upper computer cable (pt. C-2)
4. Slide the Handlebar Post (pt.C-1) into the Main frame then fix it with four sets of M8X16 Allen bolt (pt.D-3) and Flat washers (pt.D-4)..

Remarks: Do not screw one set of the M8X16 Allen Screws and Flat washers too firm at one time. It is better to fix the four sets firmly at the same time because it helps you to change angles and to fix easily.



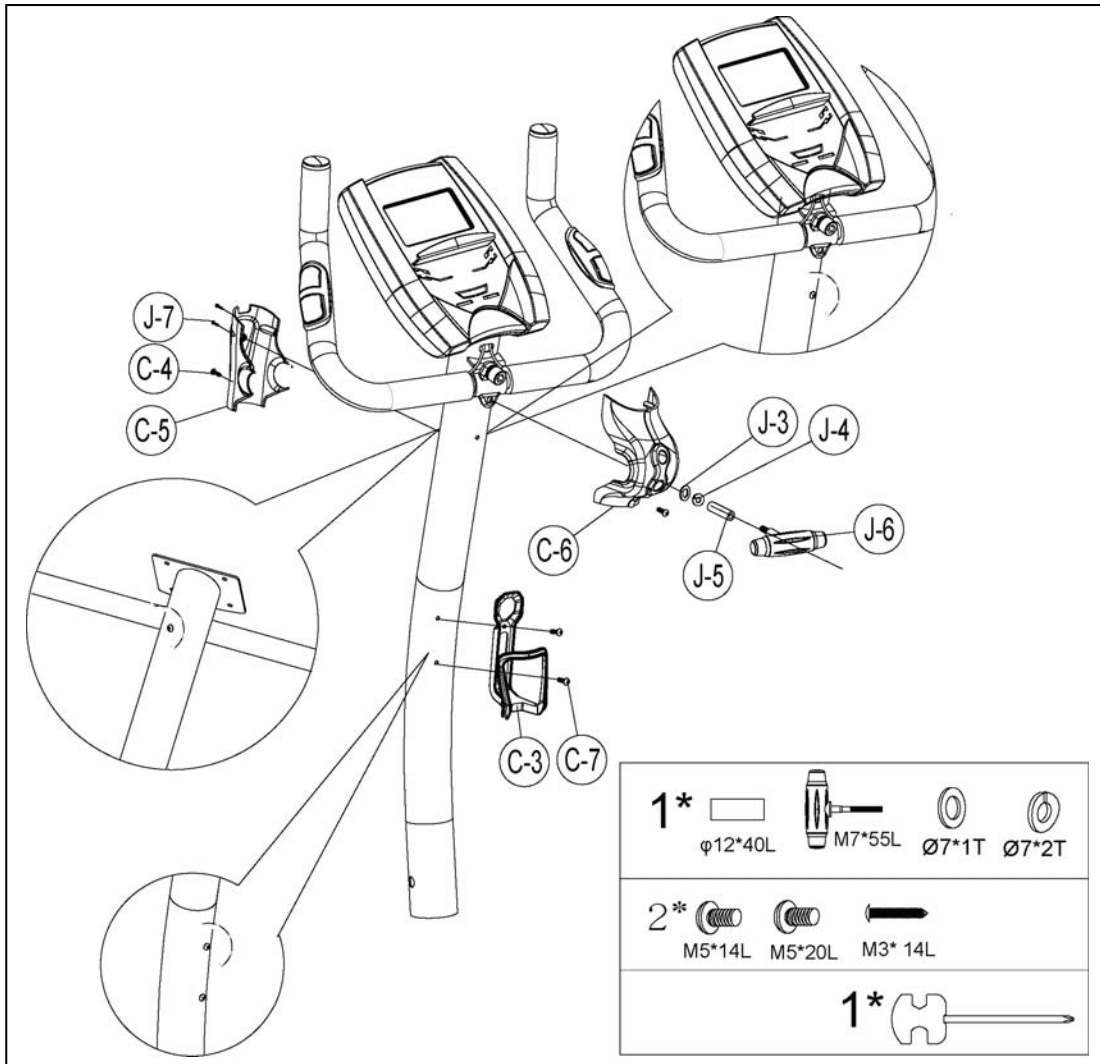
Step 5- Handlebar and Computer Assembly

1. Attach the Handlebar (pt.B-1) to the Handlebar post (pt.C-1) using the clamp (pt.J-8). Fix firmly with one Flat washers (pt.J-3), one Spring washer (pt.J-4) and one Fixing bolt (pt.J-2).
2. Pass the hand-pulse wire (pt.B-5) through the hole.
3. Connect the Computer cables (pt .C-2) and hand pulse wire (pt.B-5). Then attach the Computer (pt .A-1) to the Computer bracket with the enclosed Screws (pt. A-2).



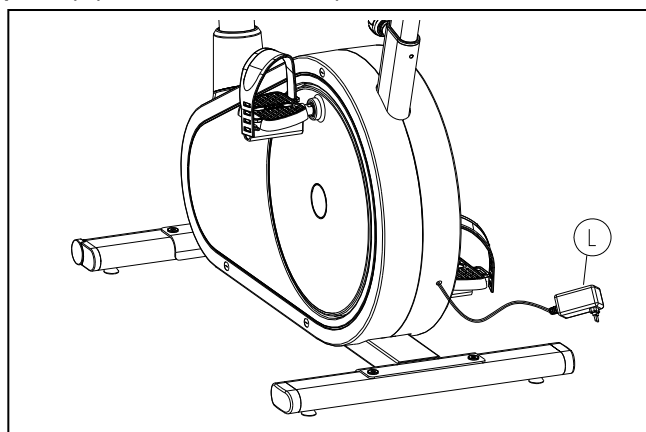
Step 6- R/L Cover and Bottle holder Assembly

1. Attach the Rear cover (pt.C-5) using two of M3x14L Screws (pt.J-7) and one of M5xP0.8x14L Screws (pt.C-4).
2. Attach the Front cover (pt.C-6) using M5xP0.8x14L Screws (pt.C-4) the Handlebar T-Knob (pt.J-6) using one set of Flat Washer (pt.J-3), Spring Washer (pt.J-4) and one Bushing (pt.J-5).
3. Remove the pre-installed Screws (C-7) on the handlebar post first, and then assemble the Bottle holder (pt.C-3) using screw (pt. C-7).



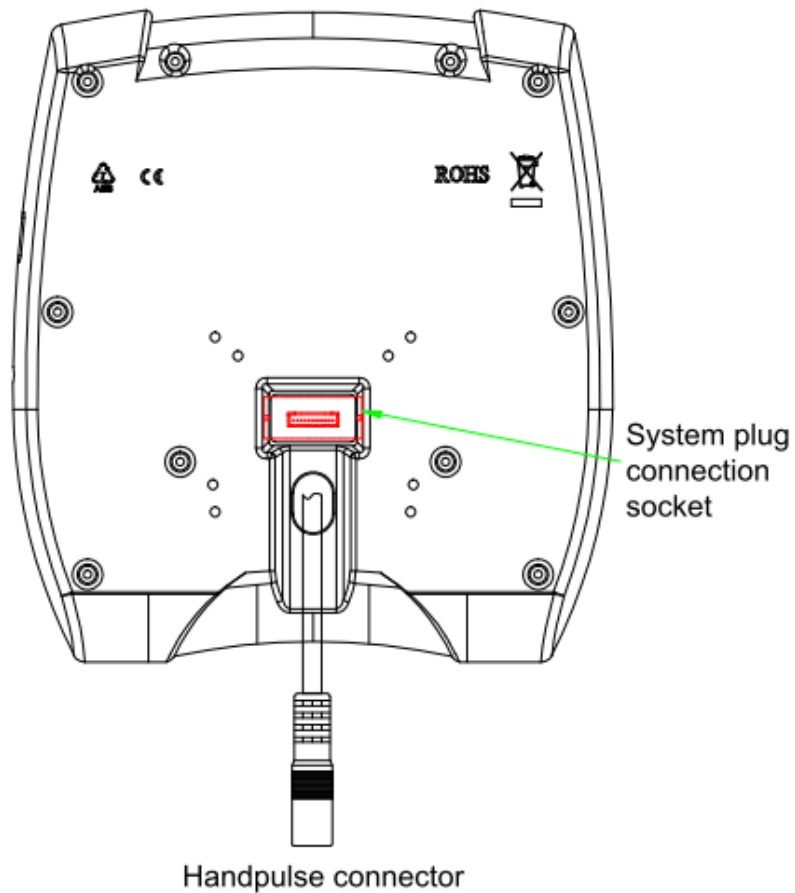
Step 7-

Connect the adaptor (L) to the DC hole (located on the back of the chain cover).

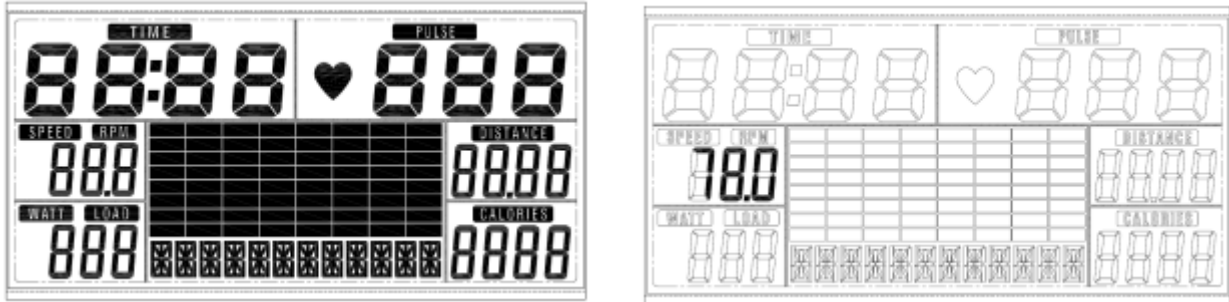


SM1705-67 INSTRUCTIONAL MANUAL

For simple exercise, it is not always necessary to select a training program or manually set the TIME, DISTANCE or other values. You can simply start work out.



As soon as the computer is connected with power supply, an acoustic signal sounds and all of the displays are shown on LCD for 2 seconds, then showing wheel diameter.



If no button are pressed and the pedals have not been moved for approx. 4 minutes, the computer will switch to power saving mode. All setting and data will be saved until user start next training.

DISPLAY & BUTTON FUNCTIONS

Training Values	Display Range	Description/ Setting Range
RPM	0~999	-Revolution per minute
TIME	0.0 ~ 99:59min.	-User exercising time displaying; -Setting range 0:00~99:00.
SPEED	0~99.9km	-User exercising speed.
DISTANCE	0~99.99km	-User exercising distance. - Setting range 0.00~99.90km
CALORIES	0 ~ 9999 Cal.	-Burned calories during exercising. -Setting range 0~9990
WATT	0~999	-Power consumption during exercising. -Setting range 10~350
PULSE	30-230 BPM	-User current Heart Rate value. -Setting range 0-30~230Bpm.

BUTTON	FUNCTION
UP	- Increase resistance level - Function selection
DOWN	- Decrease resistance level - Function selection
ENTER	- Confirm setting or selection.
Reset	- Hold on pressing for 2 seconds, computer will reboot. - Reset all values to zero. - Reverse to main menu after finishing a workout.
Start/ Stop	- Start or Stop training.
Recovery	- Track user Heart rate in recovery phase.

Acoustic Signals

All settings made with the computer are confirmed with an acoustic signal:

1 shot beep = setting confirmed

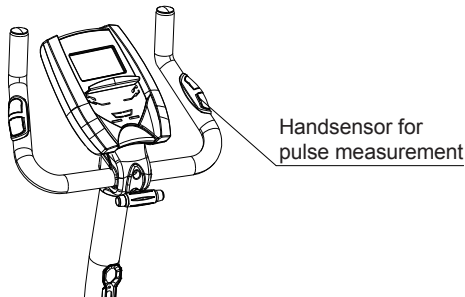
2 shot beeps =It is impossible to make any settings

Training Data

The computer calculates and displays all values automatically according to user exercising status (see table).

Take note:

* If only a "P" is shown instead of pulse value, it is impossible to measure the HR. Keep both hands holding on the handbar properly so that computer can detect your hear rate.



* The profile displayed in the center field depends on the type of exercise that has been set. The computer provides a number of ways to vary the exercise session and make it more motivating.

The following exercising are available:

- Manual Training (training without programs)
- Training with Programs (there are 12 programs preset, P01~P12)
- Training with the Heart Rate program (H.R.C)
- Training with USER program (set your own desired profile)
- Training with WATT program (Power consumption)

Starting exercise immediately (MANUAL)

Then MANUAL is flashing with 1Hz. Press UP or DOWN to choose MANUAL and confirm by pressing ENTER. If you have previously selected a program or started your workout, press RESET to return to the starting display.



-Press START/STOP **button** to start workout immediately without entering further settings.
-Press UP and DOWN keys to input your personal settings and press ENTER to confirm. The following fields will flash in turn:

- . Resistance level (1~16)
- . TIME
- . DISTANCE
- . CALORIES
- . PULSE

Use UP & DOWN to set values and confirm your selection by ENTER button.

Press START/STOP **button** to start workout.

As soon as one of the set values reach the preset Target, the computer will alarm with Bi-bi sound and

stop.

-You can adjust the level of resistance on the **pedals** while exercising by pressing UP and DOWN keys.

The newly set level value will be shown in the profile (default value is Level 1).

-Press START/STOP **button** to end exercising. All exercising value will remain.

-Press RESET to reverse to workout selection menu.

Selecting a Program to do training (PROGRAM)

-Press UP and DOWN keys to scan MANUAL→PROGRAM →USER PROGRAM→HRC→WATT.

-Choose PROGRAM and press ENTER to confirm. The programs are preset with 12 profiles. Press UP and DOWN to select one from the 12 preset profiles. Set the desired session value and confirm by ENTER:

. Resistance level (1~16)

. TIME

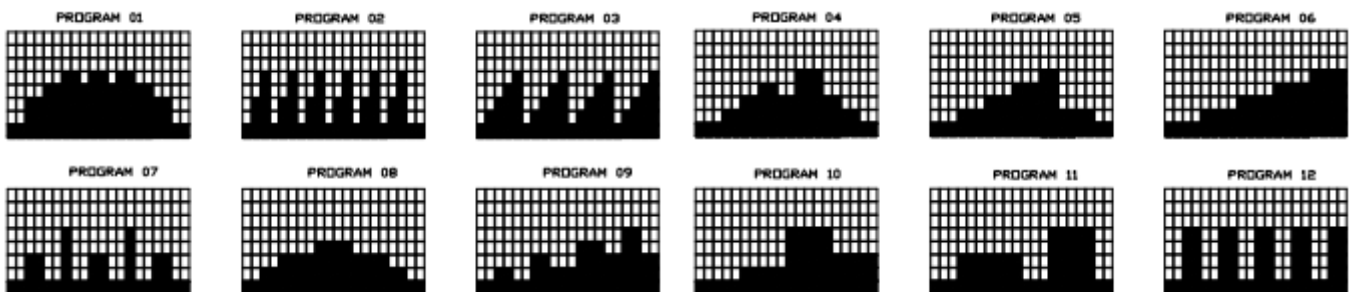


-Press STATR/STOP **button** to start workout.

-You can adjust the level of resistance on the **pedals** while exercising by pressing UP and DOWN keys.

The newly set level value will be shown in the profile (default value is Level 1).

-Program profile & intensity:



Interval programs P2- P3- P7- P12

Increasing resistance level programs P6- P9- P11

Increasing and decreasing resistance level programs P1- P4- P5- P8 -P10

The stored training programs are designed especially to enhance aerobic base fitness.

. As a beginner you should start with those programs slowly and set a low **pedal** resistance.

. You should only graduate to Interval programs once you have exercised for several times.

-Press START/STOP **button** to end exercising. All exercising value will remain.

-Press RESET to reverse to workout selection menu.

User-defined profile (USER PROGRAM)

Here you can design your own profile with bars just like the preset program profiles.

-Press UP & DOWN to select USER PROGRAM and press ENTER to confirm. The first bar will be displayed.

-Press UP & DOWN to set resistance level and confirm by ENTER button. The next bar will be displayed.

- Continue this process till set up 20 bars. The max. resistance level is 16. When come to 9th bar, it scroll and shift tonext and so on. To finish your setting or quit setting, hold on pressing ENTER button.
- Set the desired session TIME with UP & DOWN buttons and press ENTER to confirm.
- Press STATR/STOP **button** to start workout.
- During the program profile setting, user may press MODE to finish or holding it for 2s to quit setting.
- You can adjust the level of resistance on the **pedals** while exercising by pressing UP and DOWN keys. The newly set level value will be shown in the profile(default value is Level 1).
- As soon as one of the set values reach the preset Target, the computer will alarm with Bi-bi sound and stop.
- Press START/STOP **button** to end exercising. All exercising value will remain.
- Press RESET to reverse to workout selection menu.

Set program according to heart rate (H.R.C.)

In this program, the console reacts to your pulse as measured by the metal handbar.

This program allows you to exercise efficiently and safely within your required heart rate zone.

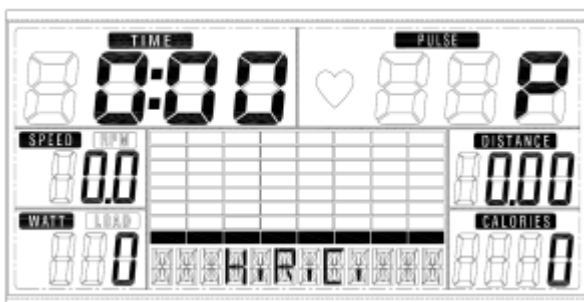
In addition, simple graphics also show you whether you need to need to increase or decrease your stress Level. You can choose between:

HRC55 Here you are exercising in the very efficient range of 55%, ideal for beginners and for general fat Burning.

HRC75 This range of 75% of the maximum pulse rate is suitable for experienced users and athletes.

HRC90 The anaerobic range of 90% of the maximum pulse rate is only suitable for competitive athletes and short sprint exercises.

TAG The computer uses your Age to calculate a target pulse rate, which you can change as per your willing. Never select a target pulse that is higher than your age-determined maximum pulse rate.



- Press UP & DOWN to select H.R.C. and enter by pressing ENTER. Choose HRC55-->HRC75 -->HRC90-> TARGET. With HRC55, HRC75,HRC90, the max. Heart rate will be calculated by the computer automatically.
- With the TARGET program, the preset value 100 will be shown. Press UP & DOWN buttons to set a value between 30~230 and confirm by ENTER. The program has been saved.
- Set the desired session TIME with UP & DOWN buttons and press ENTER button to confirm.
- Press STATR/STOP **button** to start workout.
- For this program, it is necessary tokeep your both hands on the hand grips so that computer can detect and display your heart rate value.
- Program sequence:
The computer sets a **pedal** resistance that keeps you exercising constantly within your target pulse rate.
- .If you are exercising and go below your preset pulse rate, the **pedal** resistance will automatically rise by one stress level every 30 seconds.

.If you are exercising and go above your preset pulse rate, the **pedal** resistance will automatically decrease by one stress level every 15 seconds. If you have already reached the lowest level “1” and your pulse rate is still higher than your preset value, then after about 30 seconds an acoustic signal will alarm and computer program will end automatically.

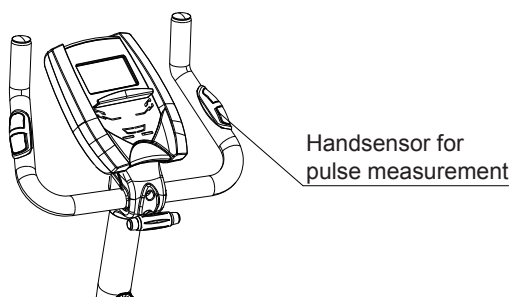
Training with WATT program

In this program, you will notice the power consumption. The preset value 120 is flashing on screen.

- Press UP & DOWN to select set desired value with range from 10 to 350.
- Press STATR/STOP **button** to start workout.
- Press START/STOP **button** to end exercising. All exercising value will remain.
- Press RESET to reverse to workout selection menu.

Measuring your pulse with the hand sensors

The hand sensor are not medical products, but rather exercising tools designed for the approxi-mate measurement and displaying of the pulse rate when exercising with the exercise bike.



You can measure your pulse with the two hand sensor on the handle.

>> Place both hands on the hand sensor on the handle as you exercise and wait briefly for the pulse to be displayed.

Recovery phase

It is recommended to end an intensive exercising session with a recovery phase. During this phase you should be able to relax and **pedal** without strong resistance until your pulse slows close to its usual rate.

- Press RECOVERY button and hold the handgrips again. Then only TIME is showing with counting down from 60 seconds to 0, all other functions are not available.

Once the 60 seconds recovery phase is over, an evaluation of the achieved heart rate will be shown.

1.0	OUTSTANDING
1.0 < F < 2.0	EXCELLENT
2.0 < F < 2.9	GOOD
3.0 < F < 3.9	FAIR
4.0 < F < 5.9	BELOW AVERAGE
6.0	POOR

-If your heart rate is still very high after 60s (F is between 4 and 6), you could restart the recovery program to gradually slow your heart rate further.

Trouble shooting:

LCD displaying E-2: Check whether the 5PIN cable is not well connected to console or bad contact.

LCD no displaying:

1. Check whether the adapter is well plugged into the AC socket.
2. Check the adapter DC pin is plugged into the machine or not, whether contact poorly.

3. Check the 12 PIN cable is peeling off and poor contact.
4. Check DC JACK connecting cable is loose or not.
5. Check the 12PIN cable inside the console is loose or not.

Attention! All preset data will be lost when unplug the power (adaptor) from the "machine".